

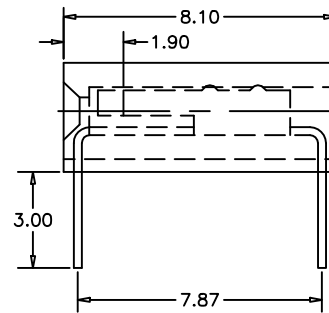
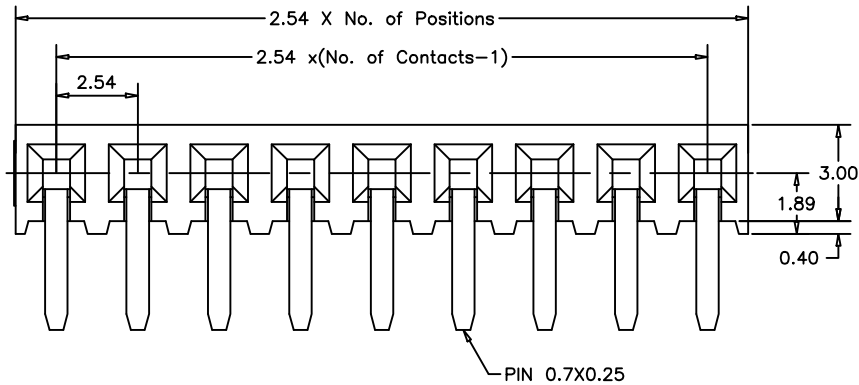
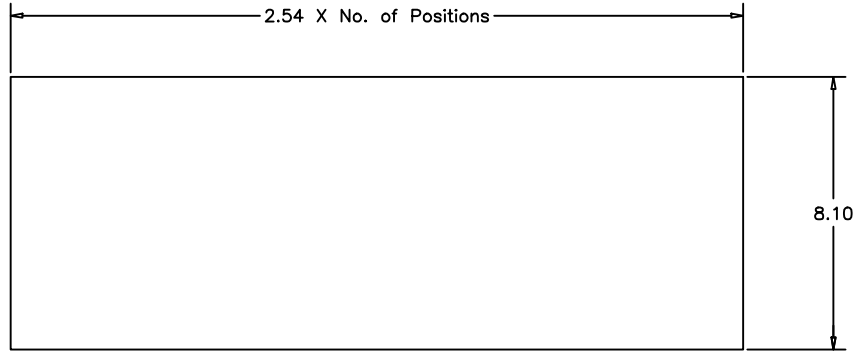
SPECIFICATIONS

Current Rating: 3 Amps
 Insulator Resistance: 5000 Megohms min.
 Contact Resistance: 20 m ohms max.
 Dielectric withstanding: AC 1000V
 Operating Temperature: -40°C~+105°C
 Contact Material: Phosphor Bronze
 Insulator Material: Polyester, UL 94V-0
 ●Standard: P.B.T.
 Finish: Tin, Gold, or Duplex Plated
 ●Standard: Gold Flash all over
 Duplex Plating: Gold Plated on contact area
 Tin Plating on solder area

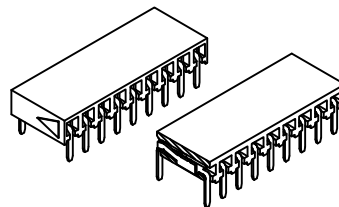
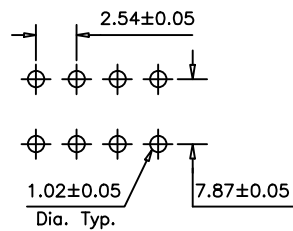
PCFY-XXR-XX-030-G

Number of Contacts ———
 Pin Length mm ———
 Contact Plating ———
 RoHS Compliant

Definition	Code
● Tin plated:	VA
● Gold plated:	
flash VB 10μ" VE	
3μ" VC 15μ" VF	
5μ" VD 30μ" VJ	
● Duplex plating:	
flash VK 10μ" VP	
3μ" VL 15μ" VN	
5μ" VM 30μ" VU	
● Standard: VB	



Recommended P.C.B. Layout



APTOS Technology CONFIDENTIAL
 This document, and all information it contains, are the confidential, proprietary property of APTOS Technology. Disclosure, duplication or distribution of this document, or any information it contains, in whole or part, without prior written permission from APTOS Technology is strictly prohibited

GENERAL TOLERANCE UNLESS OTHERWISE SPECIFIED	
XXX. ± X	.XX ± X
XX. ± X	.XXX ± X
X. ± X	X. ± X
.X ± X	.X ± X

REV. A	DRAWN	07/10/08
DATE 07/10/08	CHECKED	
SCALE 3:1	APPROVED	
UNIT mm		SIZE A4

AP APTOS TECHNOLOGY

PCFY Series
 2.54 mm Socket - Side Entry
 PRODUCT NO. PCFY-XXR-XX-030-G
 FILE NAME: PCFY LF APD.DWG